

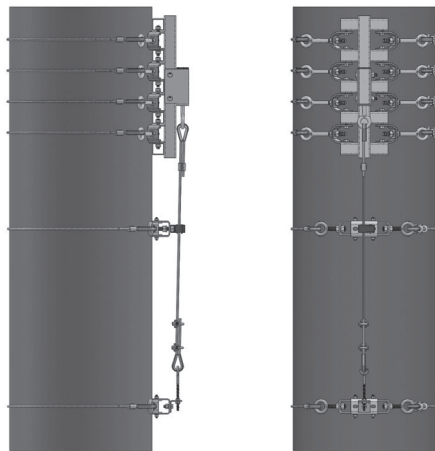


Universal Pole Mount



- Designed for field retrofit applications on tapered poles where the safe climb anchorage does not exist
- For poles 12 – 36 Inches in Diameter, 37 – 113 Inches Circumference
- Designed to provide a 5000 lb. anchorage for cable safe climb anchor attachment when installed

Custom designed systems available upon request



Universal Pole System Part Number

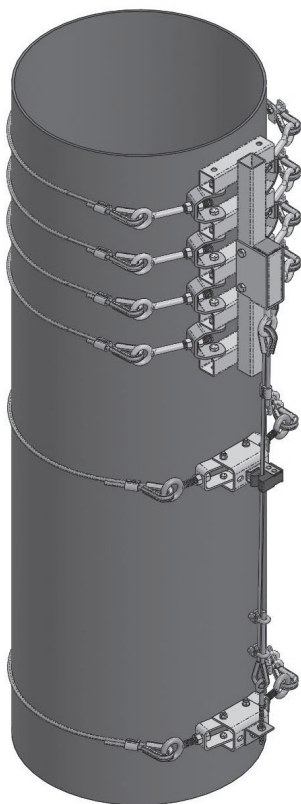
TTCCS	—	_____	—	UPMCO	—	_____
		Cable Length (feet)		Universal Pole Mount		Material Type
						Blank (Standard Galvanized) SSC (Stainless Steel Cable)

System Includes:

UCK Universal Cable Kit

PLUS the following:

- UPMCO-BP universal pole mount clamp on bracket pack



Universal Pole Mount Clamp-On Bracket
P/N 120-222

Cable & Head Assembly

Optional:
TTCCS-15'-SSC and 115-317 Cable Guide Assembly

TTCCS-15'-SSC and 115-107 Base Anchor Assembly

